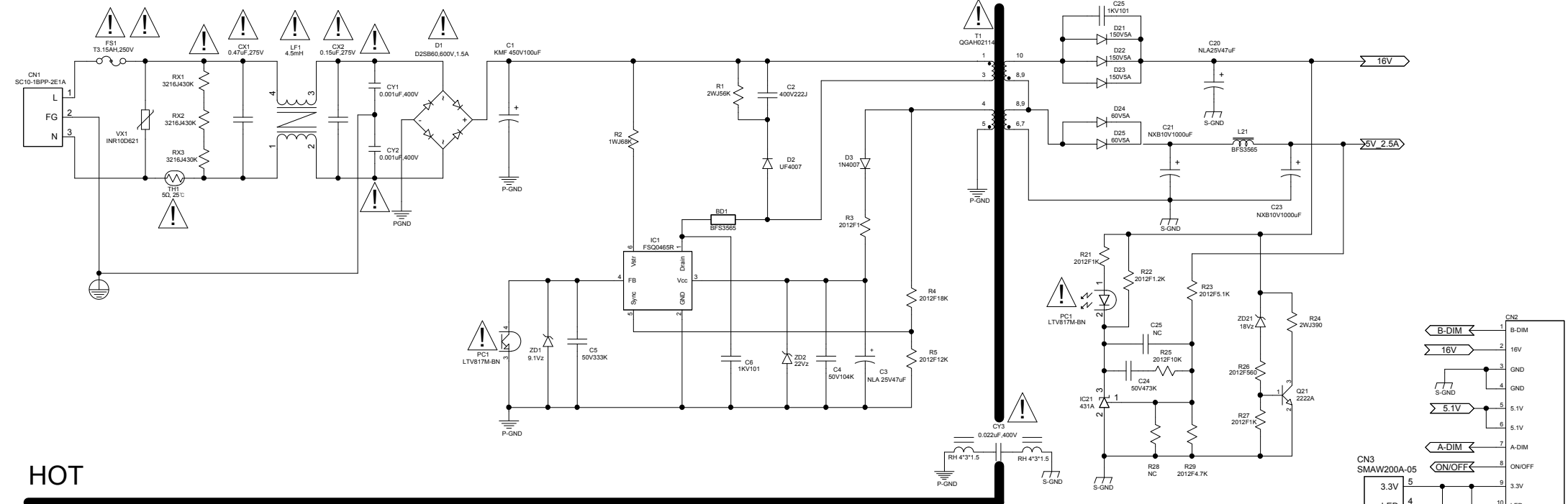
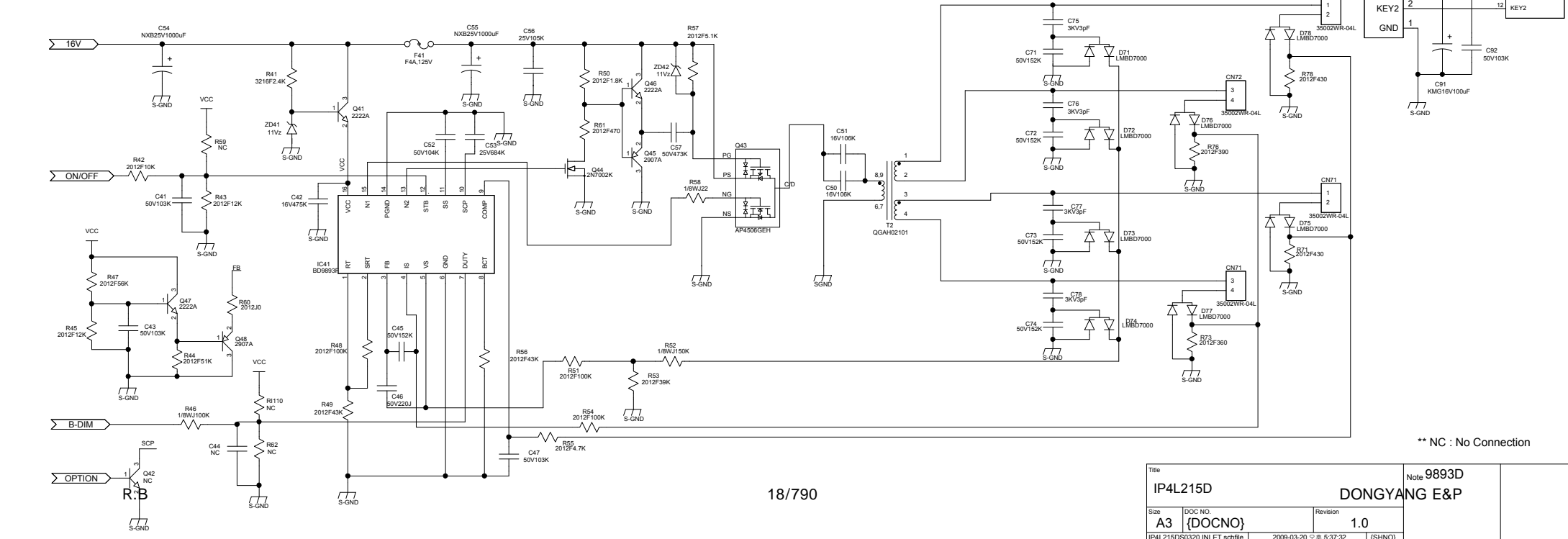


II -2. Circuit Diagram

LAVENDER 21.5"



HOT
COLD



** NC : No Connection

Title		IP4L215D		Doc No.		DONGYANG E&P		Revision		1.0	
Size		A3		DOC NO.		{DOCN0}		Revision		1.0	
IP4L215DS032D INLET.schfile											
2009-03-20						5:37:32			(SHNO)		

Note 9893D